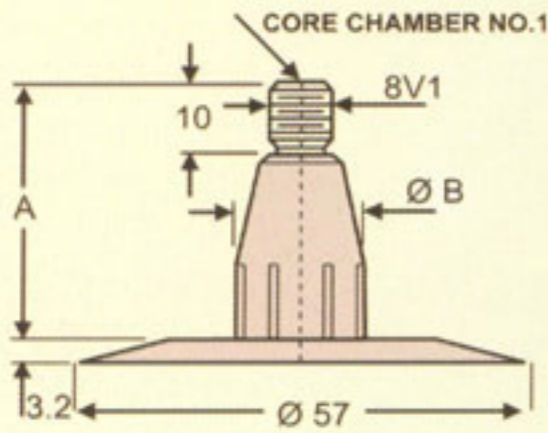


# RUBBER TUBE VALVES - PASSENGER CAR/VAN

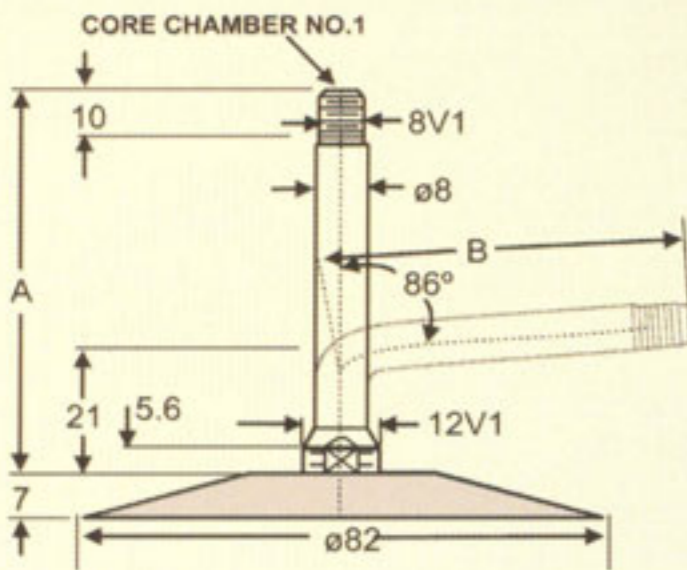


PRODUCT TYPE		A	ØB	ACCESSORIES - TR NO.	
CODE	TR NO.			CORE	CAP
TR 13	13	35	11.7	C 1 SHOT	VC 2
TR 13 (R)	-	35	11.7		VC 3
TR 14	14	35	13.1		VC 8
TR 15	15	35	16.5		

R=DENOTES 'RADIAL' MARKING



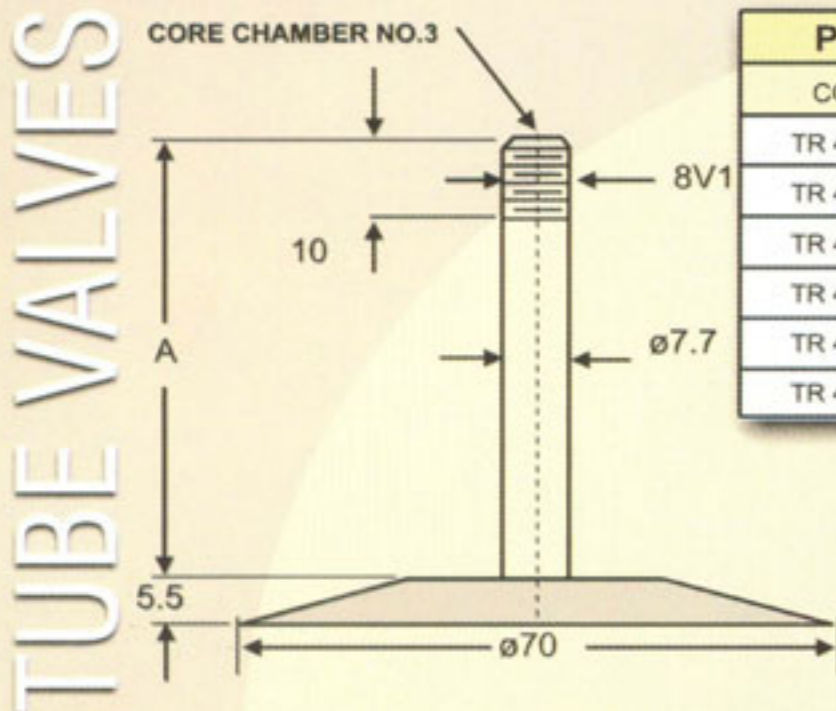
# RUBBER BASED SINGLE BENT TUBE VALVES - TRUCK AND BUS



PRODUCT TYPE		A	B	ACCESSORIES - TR NO.				
CODE	TR NO.			CORE	CAP	BRIDGE WASHER	RING WASHER	HEX NUT
TR 227	227	65	48	C1 SHORT	VC2 VC3 VC8	BW 1 BW 2 BW 3	RW 3	HN 1
TR 274A	274A	83	66					
TR 75A	75A	97	80					
TR 76A	76A	106	89					
AB1582	-	111	94					
TR 177A	177A	114	97					
TR 77A	77A	123	106					
TR 175A	175A	134	117					
TR 78A	78A	147	130					



# RUBBER BASED TUBE VALVES - TRUCK & BUS (TR 440 SERIES)



PRODUCT TYPE		A	ACCESSORIES - TR NO.	
CODE	TR NO.		CORE	CAP
TR 440	440	85	C1 SHORT	VC 2 VC 3 VC 8
TR 441	441	105		
TR 442	442	115		
TR 443	443	125		
TR 444	444	140		
TR 445	445	145		



ALL DIMENSIONS ARE IN MILLIMETERS

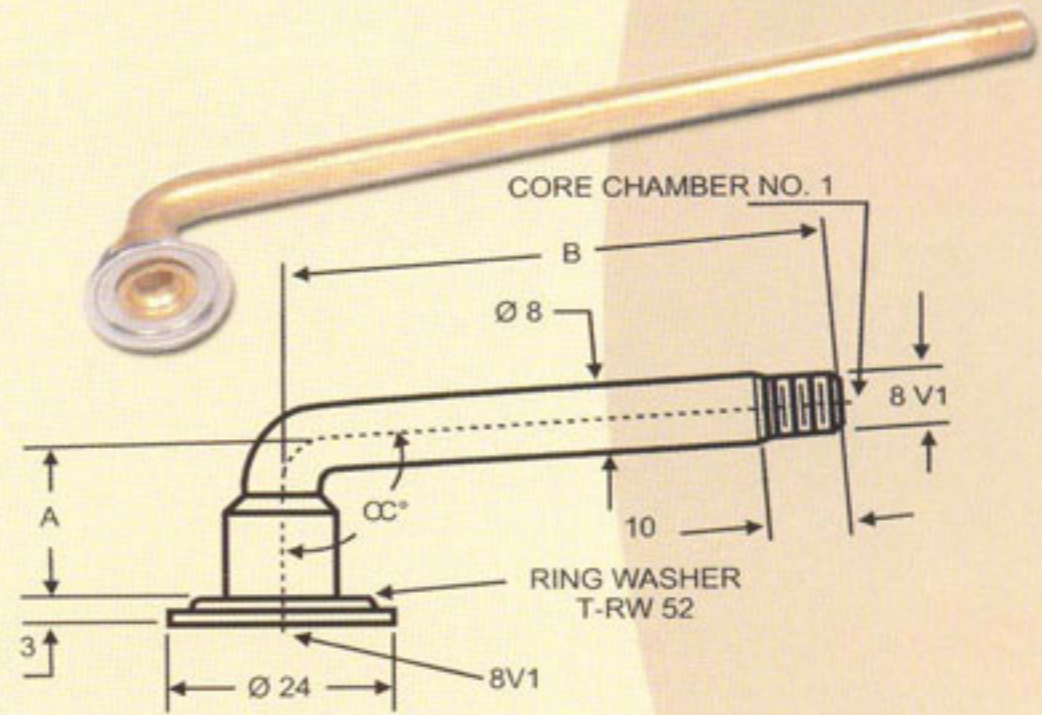
TUBE VALVES

# SCREW - ON UNIVERSAL SINGLE BENT VALVES - TRUCK AND BUS



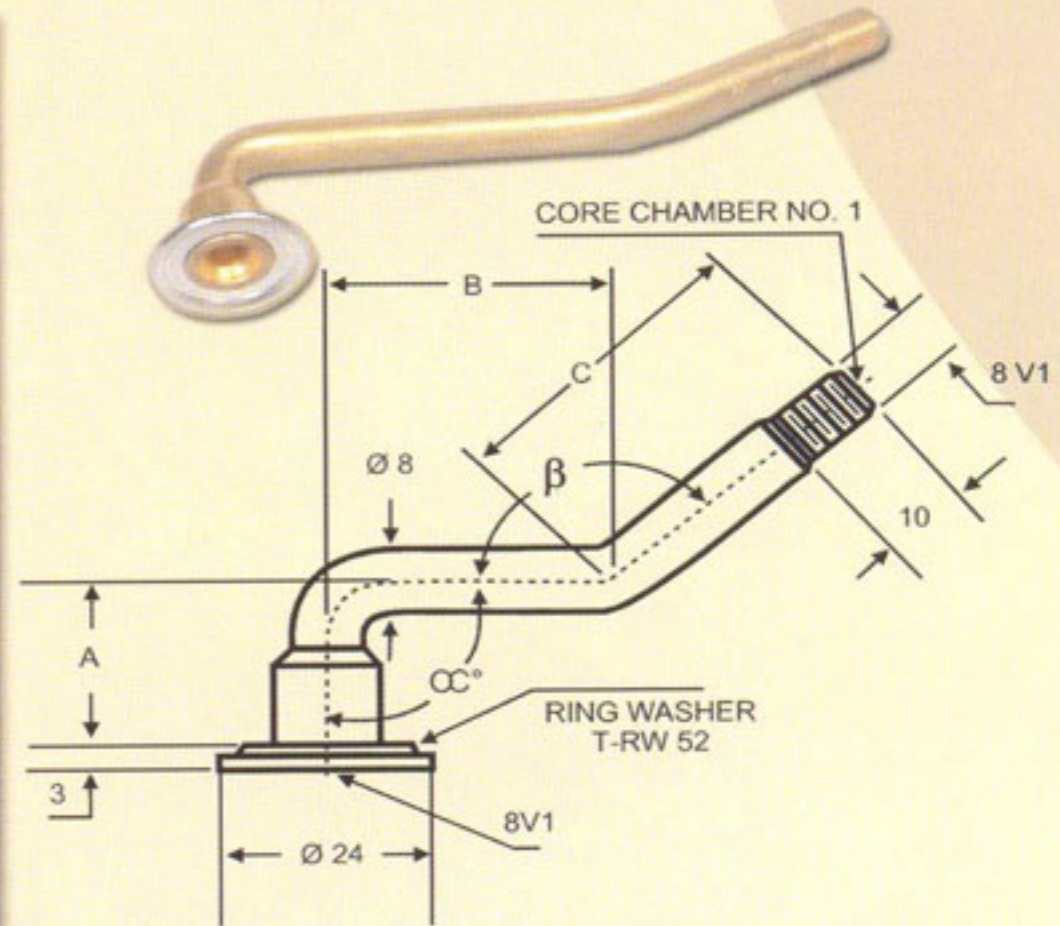
TUBE VALVES

PRODUCT TYPE		A	B	CC*	FITS ON ACCESSORIES-TR NO.		
CODE	CODE				SPUD	CORE	CAP
V3.02.1	V3.02.1	25.5	41.5	120	V3.08.2 V3.08.4	C1 SHORT	VC 2 VC 3 VC 8
V3.02.2	V3.02.2	22.5	43	120			
V3.02.3	V3.02.3	33	44.5	95			
V3.02.4	V3.02.4	39.5	44.5	110			
V3.02.5	V3.02.5	20.5	47.5	90			
V3.02.6	V3.02.6	23.5	60.5	110			
V3.02.7	V3.02.7	22.5	71.5	100			
V3.02.8	V3.02.8	20.5	89.5	94			
V3.02.9	V3.02.9	20.5	99.5	94			
V3.02.10	V3.02.10	20.5	115	94			
V3.02.11	V3.02.11	20	126	98			
V3.02.12	V3.02.12	20.5	132	94			
V3.02.13	V3.02.13	20.5	133.5	90			
V3.02.14	V3.02.14	20.5	138.5	94			
V3.02.15	V3.02.15	20.5	145.5	94			
V3.02.16	V3.02.16	20.5	149.5	90			
V3.02.18	V3.02.18	22.5	74.5	90			
V3.02.19	V3.02.19	20.5	60	94			
V3.02.20	V3.02.20	22.5	56.4	95			
V3.02.22	V3.02.22	32.5	117.5	94			
V3.02.23	V3.02.23	29.5	66.5	90			
V3.02.24	V3.02.24	20.5	117	90			
V3.02.26	V3.02.26	20.5	105	94			
V3.02.27	V3.02.27	20	75	94			
V3.02.29	V3.02.29	20	127	94			



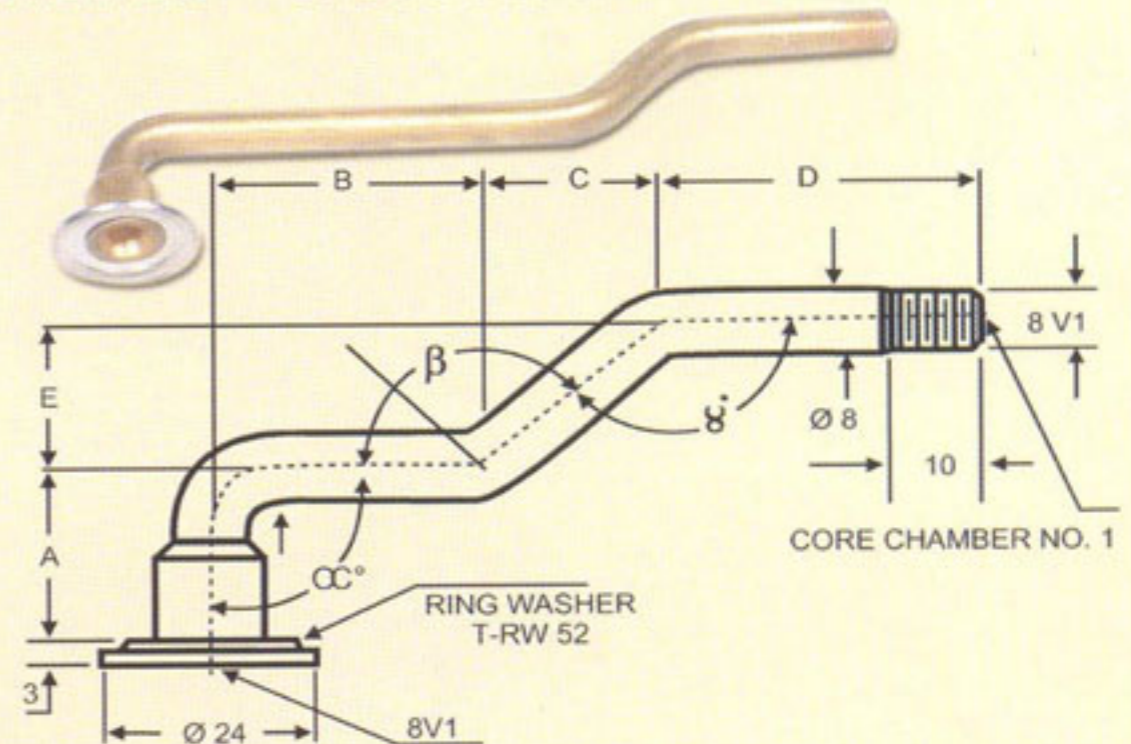
# SCREW - ON UNIVERSAL DOUBLE BENT VALVES - TRUCK AND BUS

PRODUCT TYPE		A	B	C	CC*	β	FITS ON ACCESSORIES-TR NO.		
CODE	ETRTO						SPUD	CORE	CAP
V3.04.1	V3.04.1	20.5	32	37	90	138	V3.08.2 V3.08.4	C1 SHORT	VC 2 VC 3 VC 8
V3.04.2	V3.04.2	20.5	38	41.5	90	153			
V3.04.3	V3.04.3	20	59	38.5	94	163			
V3.04.4	V3.04.4	20	74	40	94	144			
V3.04.5	V3.04.5	20	76	47.5	90	153			
V3.04.6	V3.04.6	20	86	47.5	90	153			
V3.04.7	V3.04.7	20.5	30.5	38	90	154			
V3.04.8	V3.04.8	20.5	38.5	43	90	167			
V3.04.9	V3.04.9	20.5	41	47	90	149			
V3.04.10	V3.04.10	20.5	47	53	90	154			
V3.04.11	V3.04.11	20.5	47	63.5	90	154			
V3.04.12	V3.04.12	20.5	60.5	60.5	90	159			
V3.04.13	V3.04.13	20.5	66.5	67	90	159			
V3.04.14	V3.04.14	20.5	83.5	65	90	159			
V3.04.15	V3.04.15	20.5	42	38.5	90	120			
V3.04.16	V3.04.16	20	38	50	90	160			
V3.04.17	V3.04.17	20	65	45	90	160			
V3.04.18	V3.04.18	20	72	45	90	160			
V3.04.19	V3.04.19	20	80	45	90	160			
V3.04.20	V3.04.20	20	68	47	94	164			
V3.04.21	V3.04.21	20	83	57	94	154			
V3.04.22	V3.04.22	20	28	47	94	164			
V3.04.23	V3.04.23	20	48	47	94	164			
V3.04.24	V3.04.24	20	58	47	94	164			
V3.04.25	V3.04.25	20	80	47	94	164			
V3.04.26	V3.04.26	20	99	42	99	189			



# SCREW - ON UNIVERSAL TRIPLE BENT VALVES - TRUCK AND BUS

PRODUCT TYPE		A	B	C	D	E	CC*	β	γ*	FITS ON ACCESSORIES-TR NO.		
CODE	CODE									SPUD	CORE	CAP
V3.06.1	V3.06.1	20.5	30.5	19.5	35.5	17	90	139	139	V3.08.2 V3.08.4	C1 SHORT	VC 2 VC 3 VC 8
V3.06.2	V3.06.2	20.5	44.5	12	37.5	17	90	125	125			
V3.06.3	V3.06.3	20.5	46	20.5	47.5	17	90	140	140			
V3.06.4	V3.06.4	32.50	46.5	20.5	46.5	17	95	140	140			
V3.06.5	V3.06.5	20.5	62.5	19.5	49	17	90	139	139			
V3.06.6	V3.06.6	20	79.5	19.5	37.5	17	90	139	139			
V3.06.7	V3.06.7	20.5	45.5	18.5	42.5	17	90	137	137			
V3.06.8	V3.06.8	24.5	61.5	14.5	50.5	7.5	94	153	153			
V3.06.9	V3.06.9	20.5	67.5	19.5	54.5	17	90	139	139			
V3.06.12	V3.06.12	23.5	71.5	19.5	25.5	11.5	90	150	150			
V3.06.13	V3.06.13	20	40	13	40	7	94	153	153			
V3.06.14	V3.06.14	20	50	13	40	7	94	153	153			
V3.06.15	V3.06.15	20	60	13	40	7	94	153	153			
V3.06.16	V3.06.16	20	62	13	50	7	94	153	153			
V3.06.17	V3.06.17	20	75	13	50	7	94	153	153			

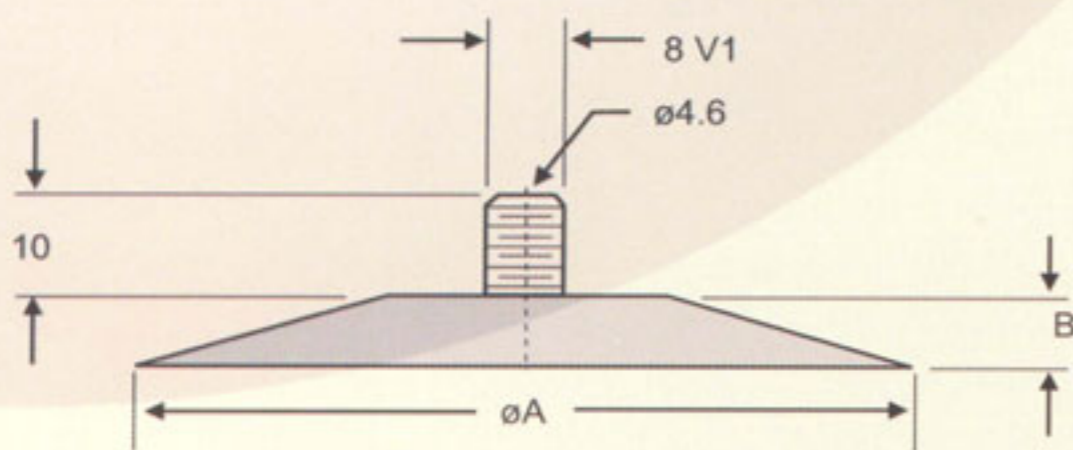


# VALVE SPUD FOR SCREW-ON UNIVERSAL VALVES - TRUCK AND BUS



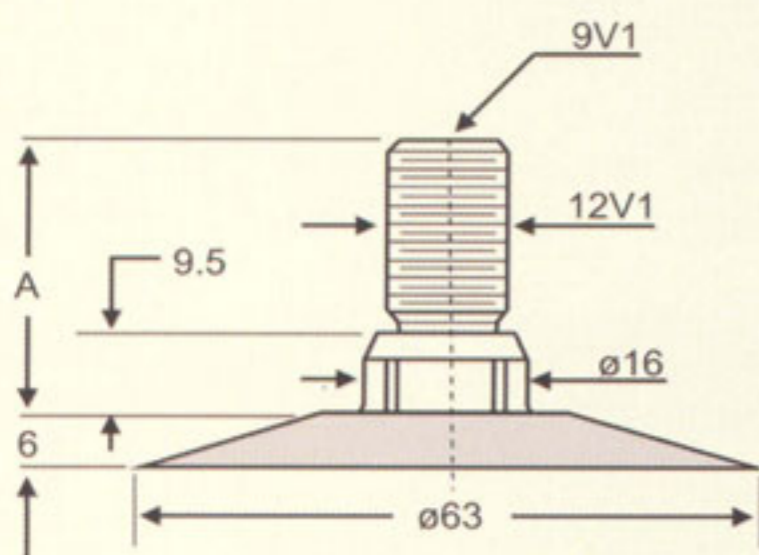
TUBE VALVES

PRODUCT TYPE		ØA	B	ACCESSORIES - ETRTO NO.	
RUBBER KING	ETRTO			RUBBER WASHER	
V3.08.2	V3.08.2	70	7	V9.05.1	
V3.08.4	V3.08.4	57	5		



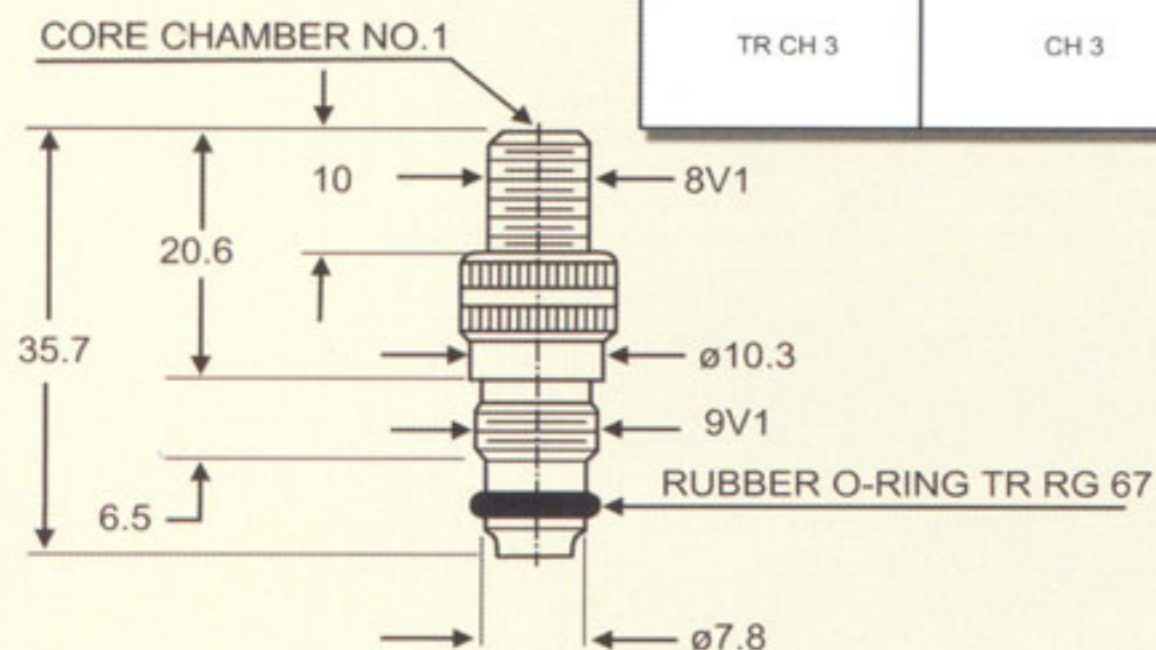
## RUBBER COVERED AIR WATER VALVES - TRACTOR

PRODUCT TYPE		ØA	ACCEPTS	ACCESSORIES - TR NO.
CODE	TR NO.		CORE HOUSING	RIM NUT
TR 218A	218A	20	CH 3	LN 10
TR 220A	220A	30.2		LN 10



## CORE HOUSING FOR TRACTOR VALVE

PRODUCT TYPE		ACCESSORIES - TR NO.	
CODE	TR NO.	CORE	CAP
TR CH 3	CH 3	C1 SHORT	VC 2 VC 3 VC 8

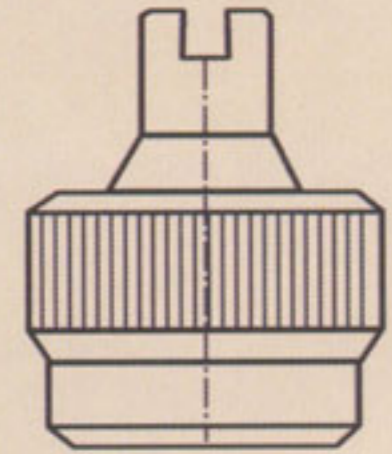


**VALVE CAPS- STANDARD BORE**



METAL CAP WITH SCREW DRIVER TOP

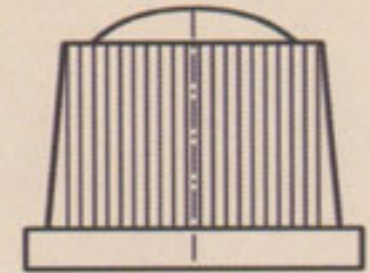
PRODUCT TYPE	
CODE	TR NO.
TR VC 2	VC 2



PLASTIC VALVE CAP



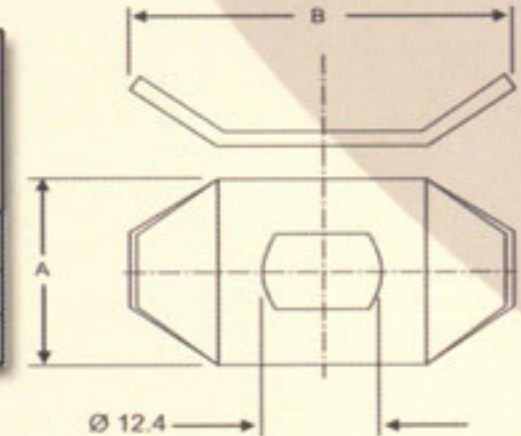
PRODUCT TYPE	
CODE	TR NO.
TR VC 8	VC 8



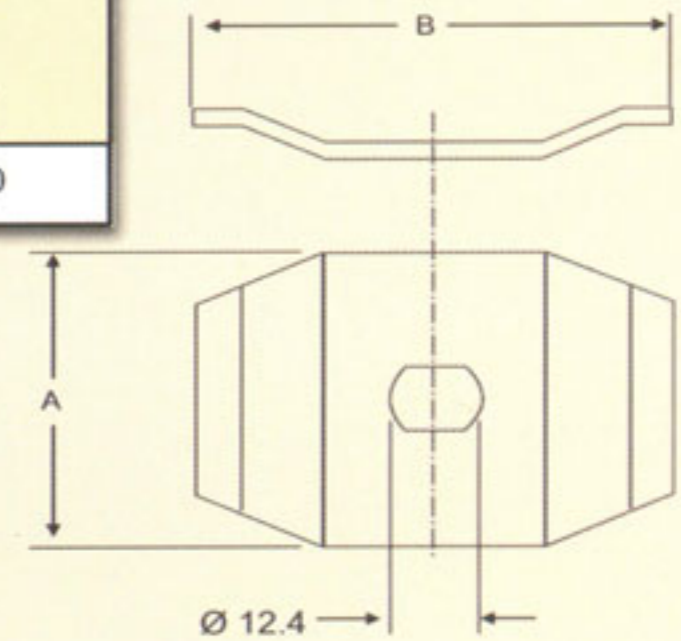
**BRIDGE WASHERS**



PRODUCT TYPE		A	B
CODE	TR NO.		
TR BW 1	BW 1	24	47
TR BW 2	BW 2	28.5	54
TR BW 3	BW 3	33	57



PRODUCT TYPE		A	B
CODE	TR NO.		
TR BW 4	BW 4	50	70



**STANDARD BORE VALVE CORE - SHORT**



PRODUCT TYPE	
CODE	TR NO.
TR C1 SHORT	C1 SHORT

